

Patent Pending

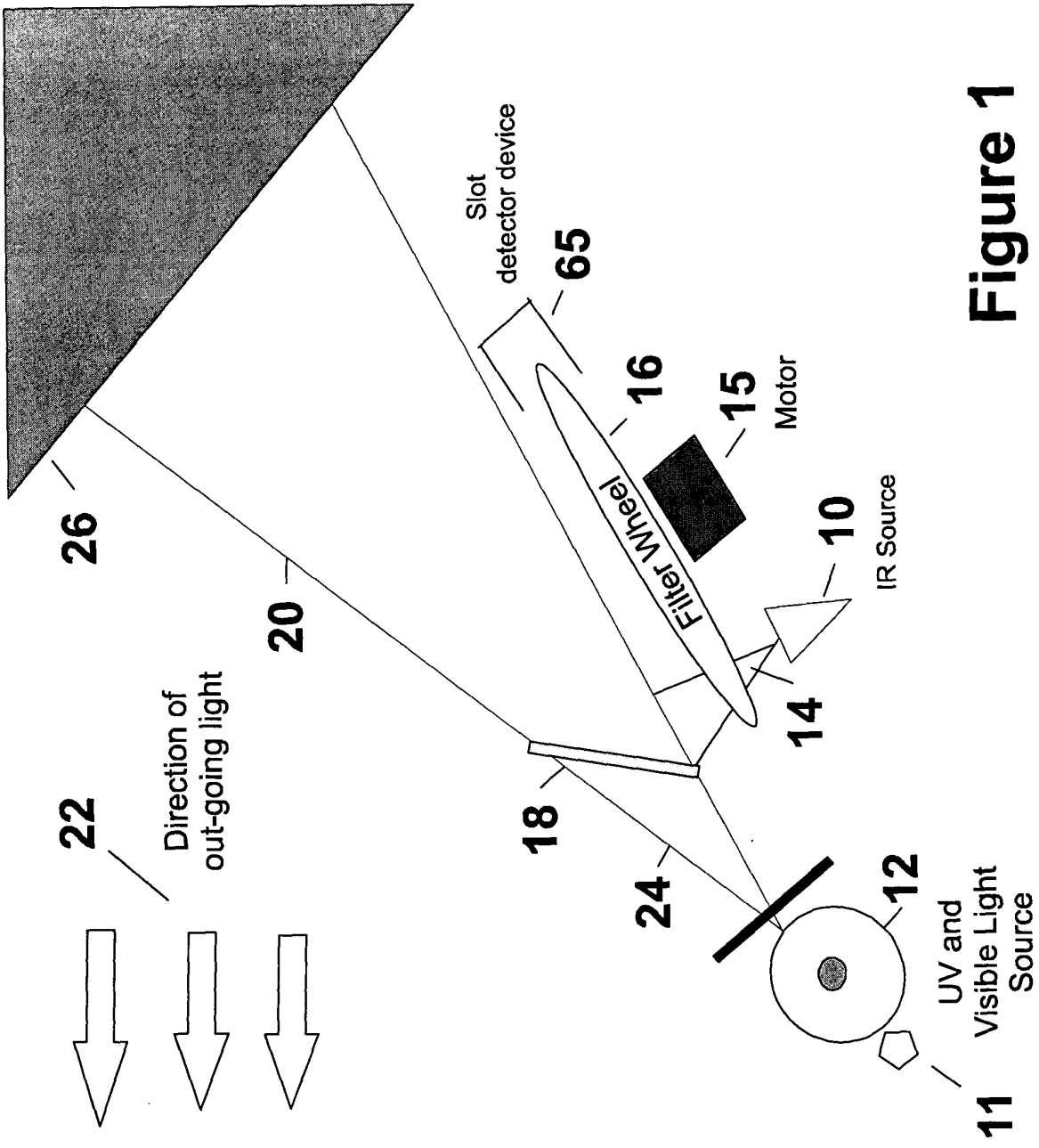


Figure 1

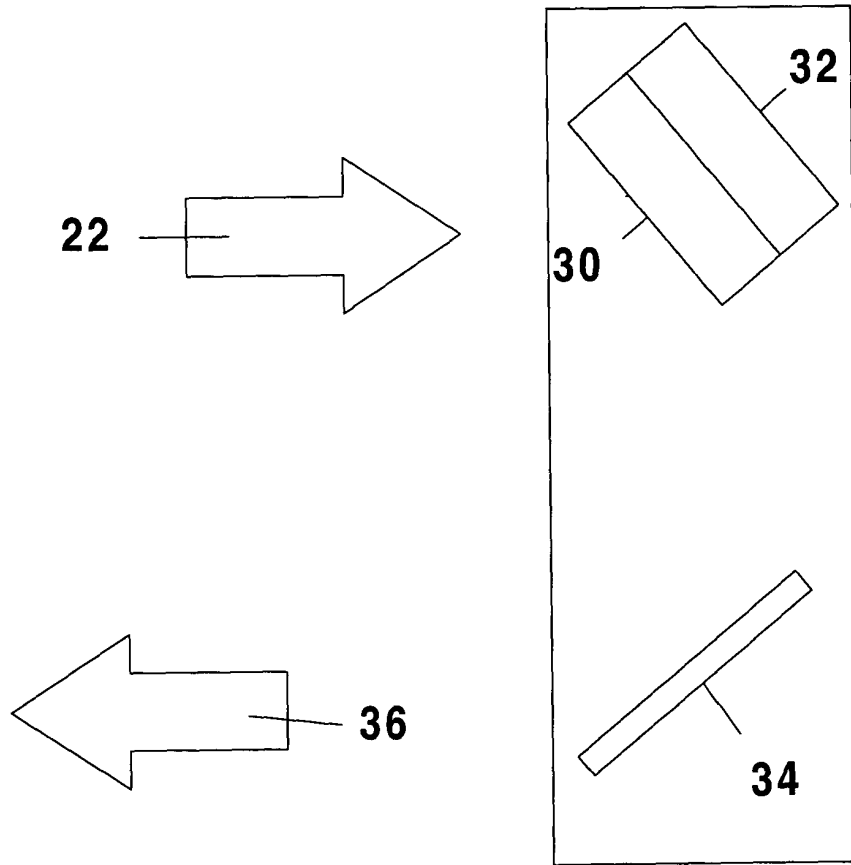


Figure 2

Patented Feb 24, 1969

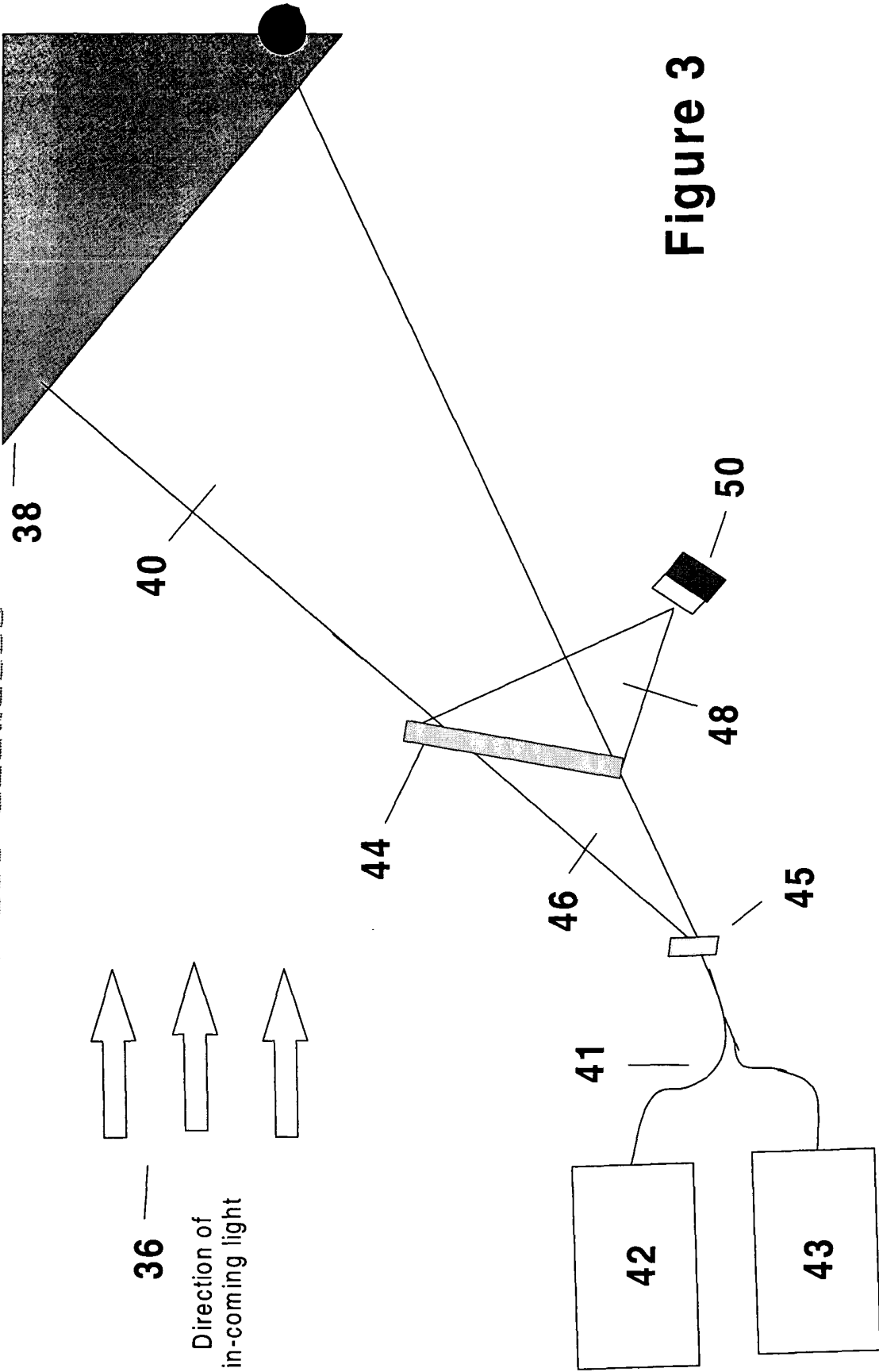


Figure 3

43630-2-2000

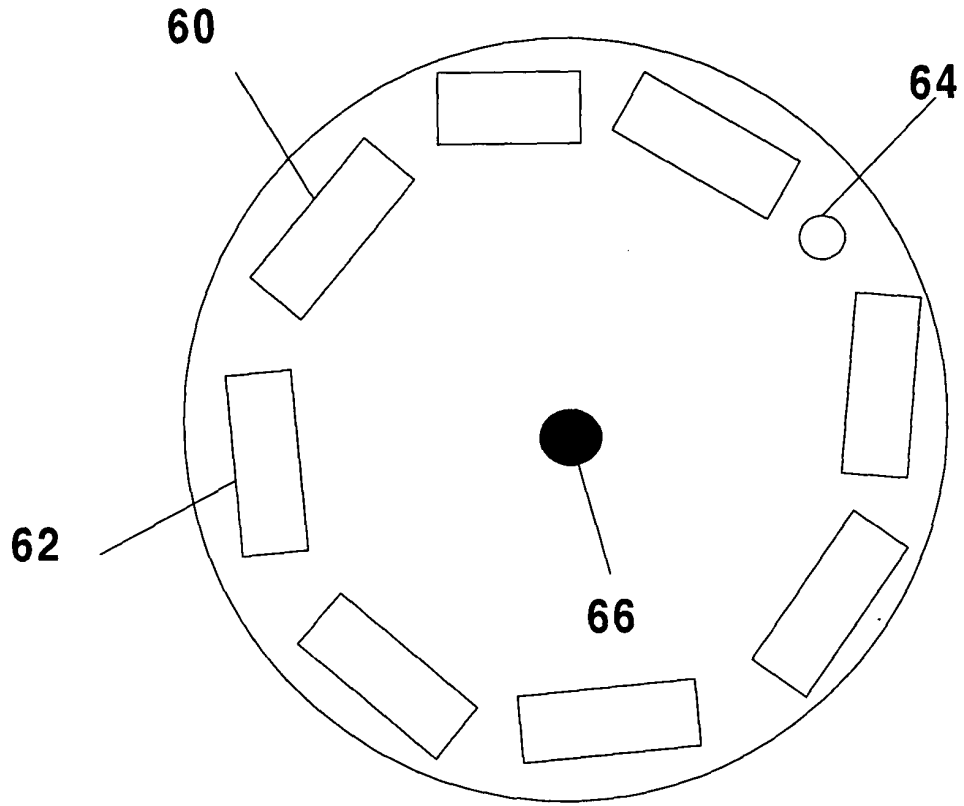


Figure 4

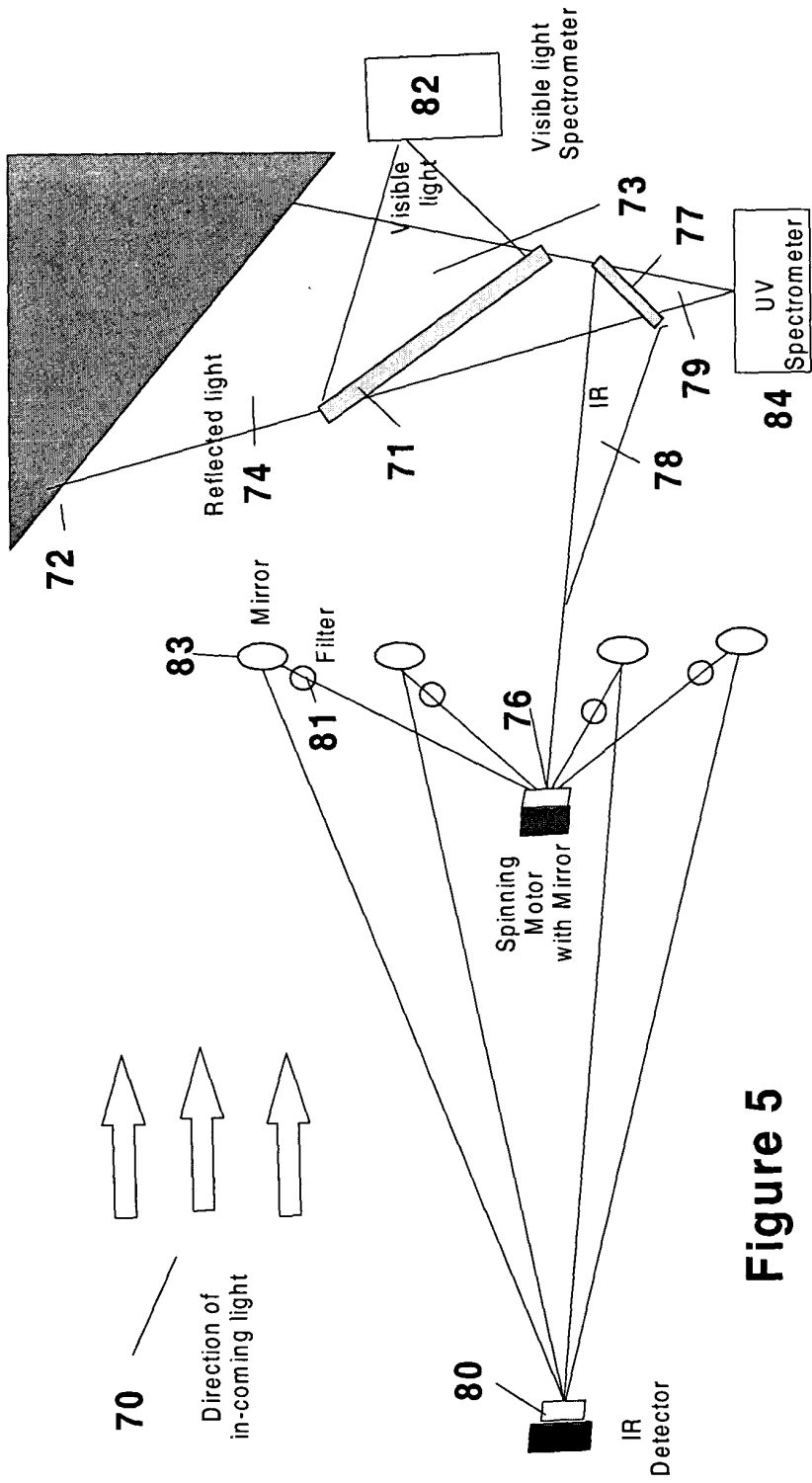


Figure 5

